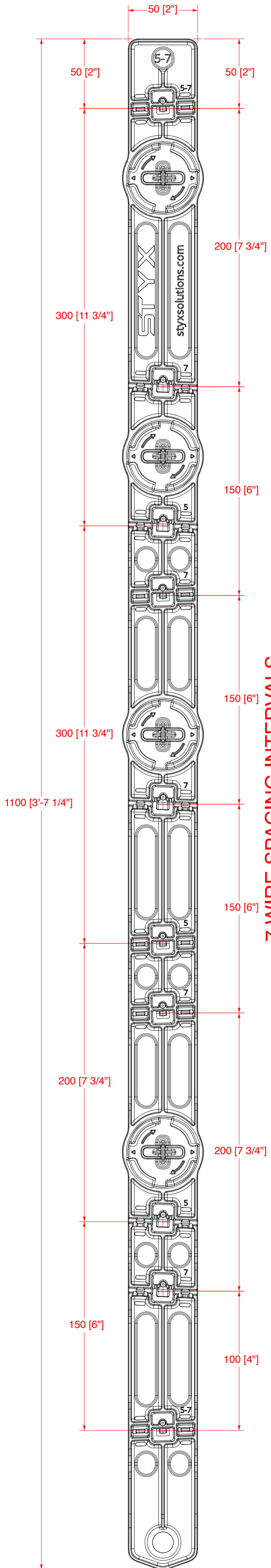
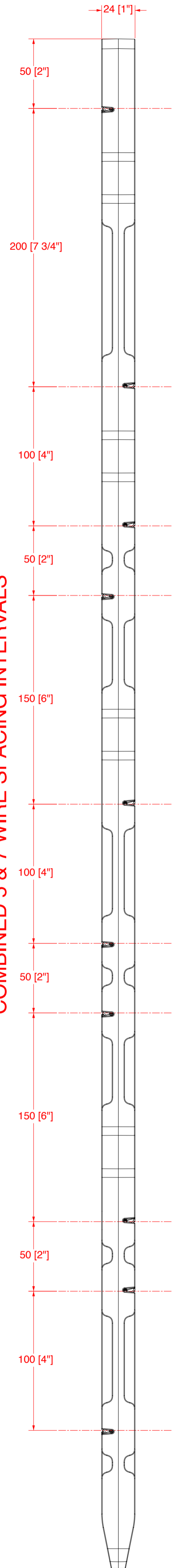


## 5 WIRE SPACING INTERVALS



## 7 WIRE SPACING INTERVALS

## COMBINED 5 & 7 WIRE SPACING INTERVALS



PLEASE NOTE:  
 The choice of Wire Spacing placements detailed above are only a guide.  
 It is possible to place Wires in any of the Clip locations; however it is recommended that the Wires are alternated from one side to the other along the length of the Batten.