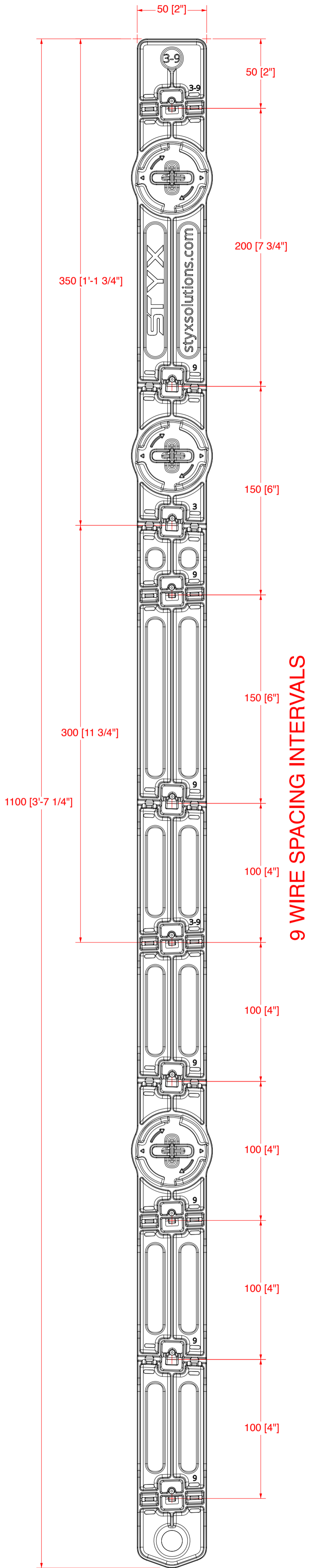
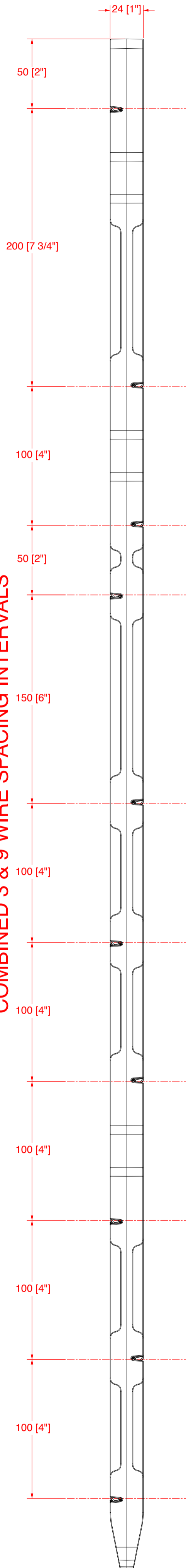


3 WIRE SPACING INTERVALS



9 WIRE SPACING INTERVALS

COMBINED 3 & 9 WIRE SPACING INTERVALS



PLEASE NOTE:
 The choice of Wire Spacing placements detailed above are only a guide.
 It is possible to place Wires in any of the Clip locations; however it is recommended that the Wires are alternated from one side to the other along the length of the Batten.